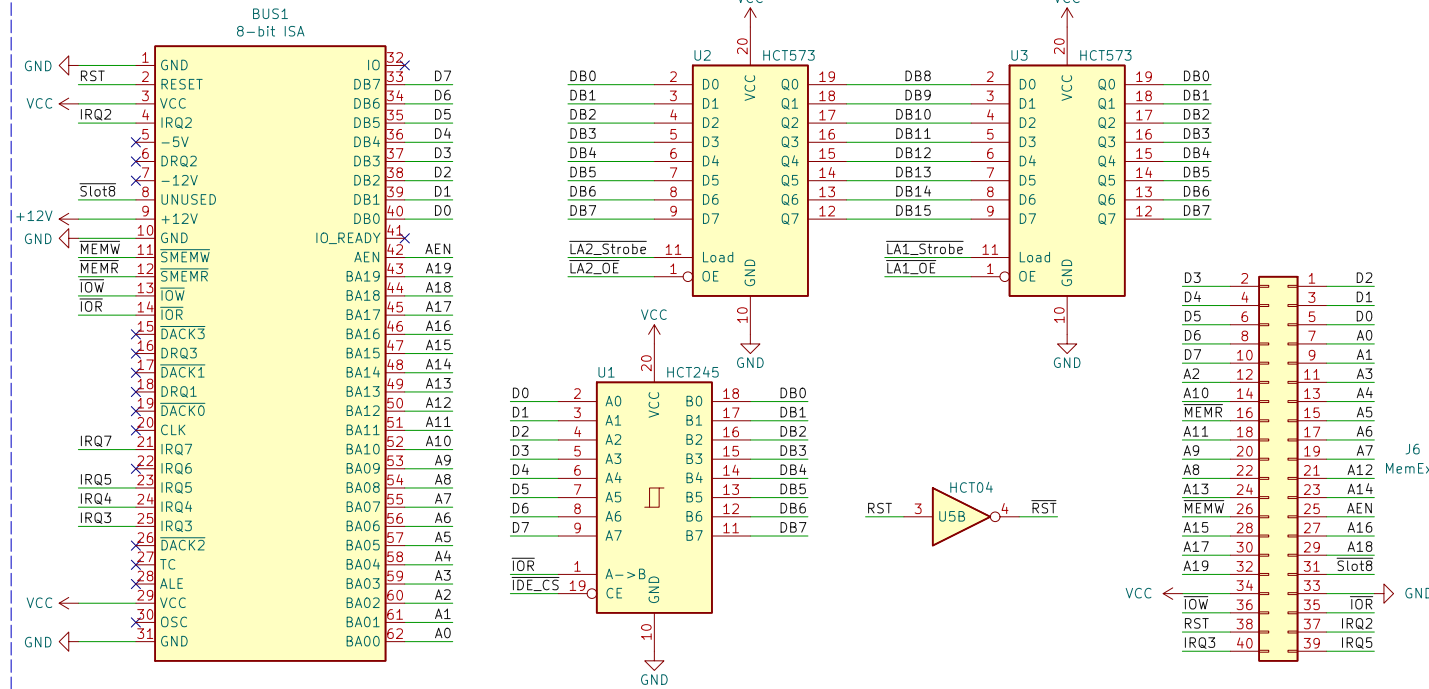
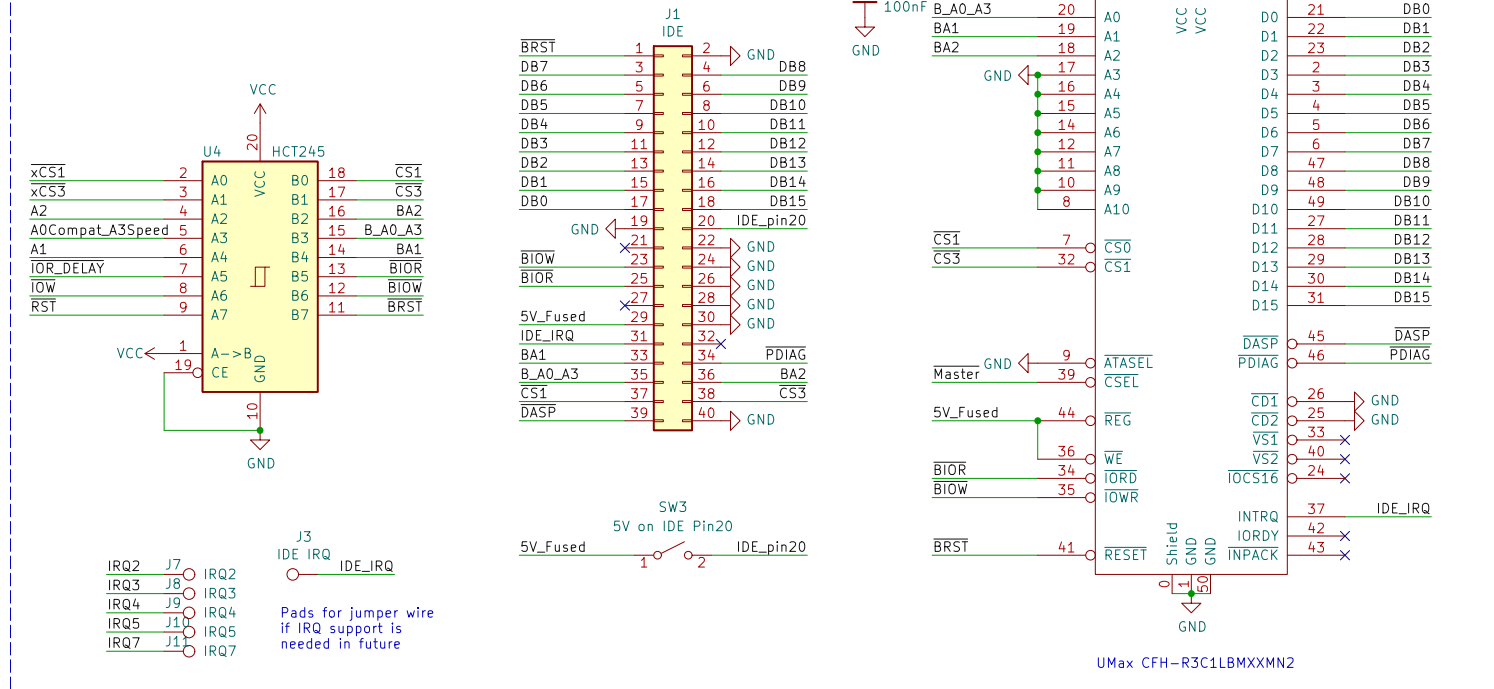


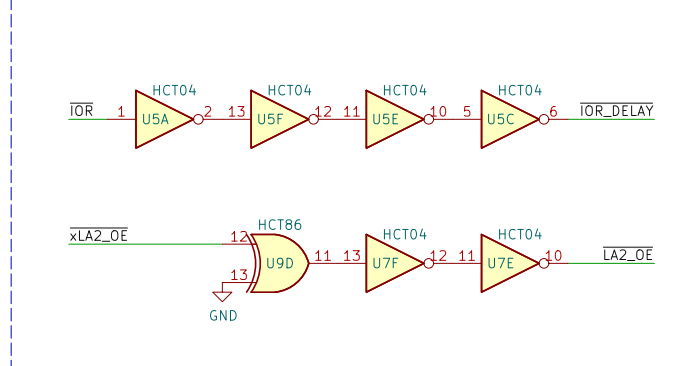
Bus



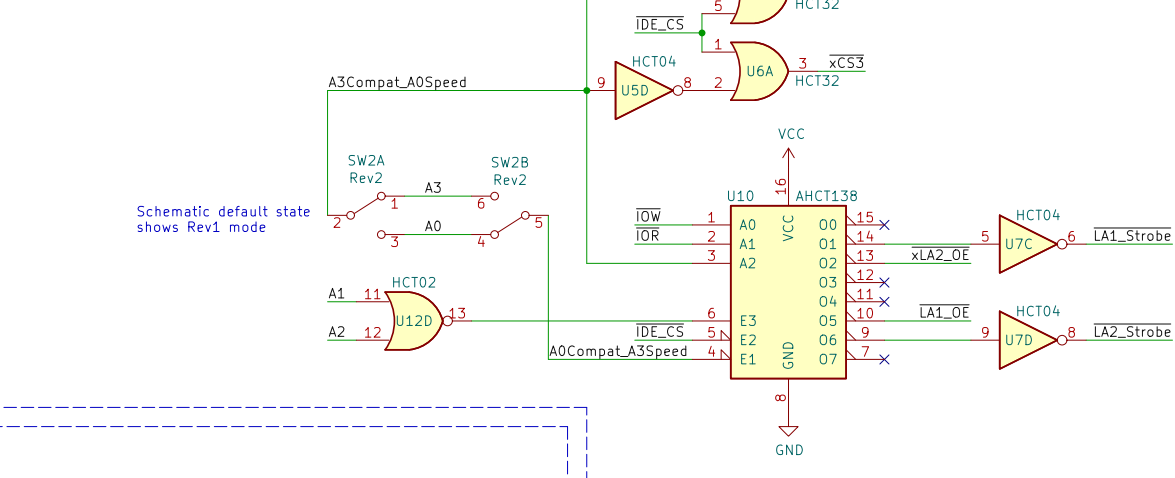
IDE Interface



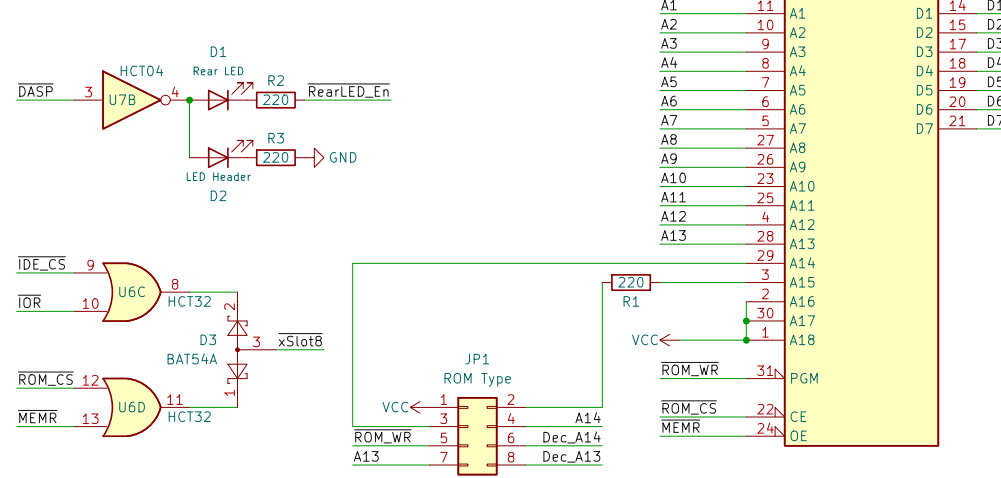
Delay lines



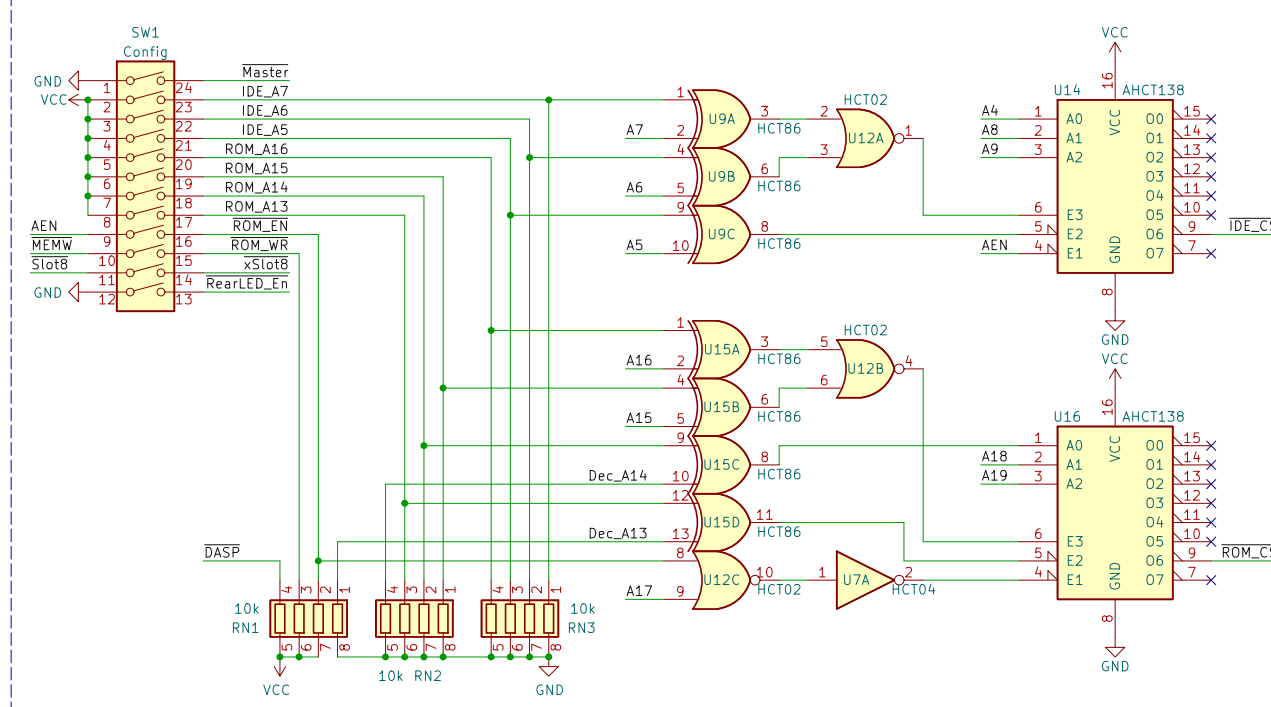
IDE Register Decoding



ROM, LEDs, Slot8

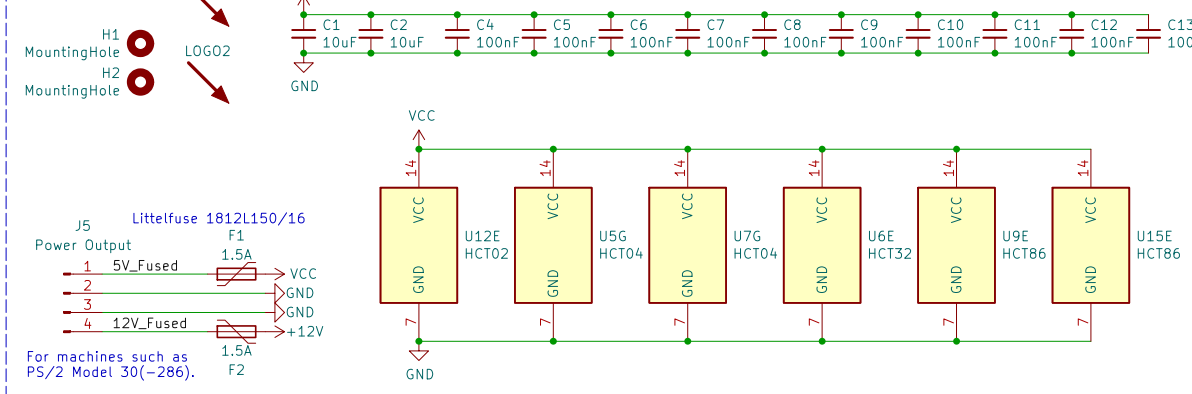


Address Decoding



- SW1: Config:**
 =====
 Switch 1: CF Slot: ON = Master, OFF = Slave (only relevant if a CF card is inserted)
- Switches 2-4: IDE I/O Address**
 234 IDE
 000 300 !
 001 320
 010 340
 011 360
 100 380
 101 3A0
 110 3C0
 111 3E0
- Switches 5-8: ROM Memory Address**
 5678 ROM
 0000 C000*
 0001 C200
 0010 C4000 ~
 0011 C6000
 0100 C8000*
 0101 CA000
 0110 CC000 ~
 0111 CE000
 1000 D0000* !
 1001 D2000
 1010 D4000
 1011 D6000
 1100 D8000*
 1101 DA000
 1110 DC000 ~
 1111 DE000
- ! = Default
 * = All ROM support
 ~ = 16K/8K ROM support
 = 8K ROM support
- JP1: ROM Type:**
 27/28(C)64 : 1-2, 3-5, 4-6, 7-8
 27(C)128 : 1-2, 3-5, 4-6
 27(C)256/512: 1-2, 3-4 (and 32-pin ROMs)
 1110 DC000 ~
 28C256 : 2-4, 3-5
- Switch 9: ROM Enable**
 With chips >32K, only the topmost 32K segment is used.
- Switch 10: ROM Write Enable**
 (must be disabled for 27* chips)
- Switch 11: IBM XT Slot-8 Mode**
 (IBM 5155/5160 boards only)
- Switch 12: Enable onboard IDE LED**

Misc



Settings

Based on XT-IDE Rev 2: www.vcfed.org/forum/showthread.php?29202-XTIDE-Rev2
 And Glitchworks' XT-IDE: github.com/glitchwrks/xt_ide
 Uses XT-IDE Universal BIOS: [xtideuniversalbios.org](https://github.com/xtideuniversalbios)
 Please retain credit and links on the PCB if modifying.

Monotech PCs
 Sheet: /
 File: XT-IDE Deluxe(1).kicad_sch

Title: XT-IDE Deluxe (8-bit ISA Bootable IDE+CF Interface)

Size: A3 Date: 2022-09-14 Rev: 1.2
 KICad E.D.A. eeschema 7.0.6 Id: 1/1